

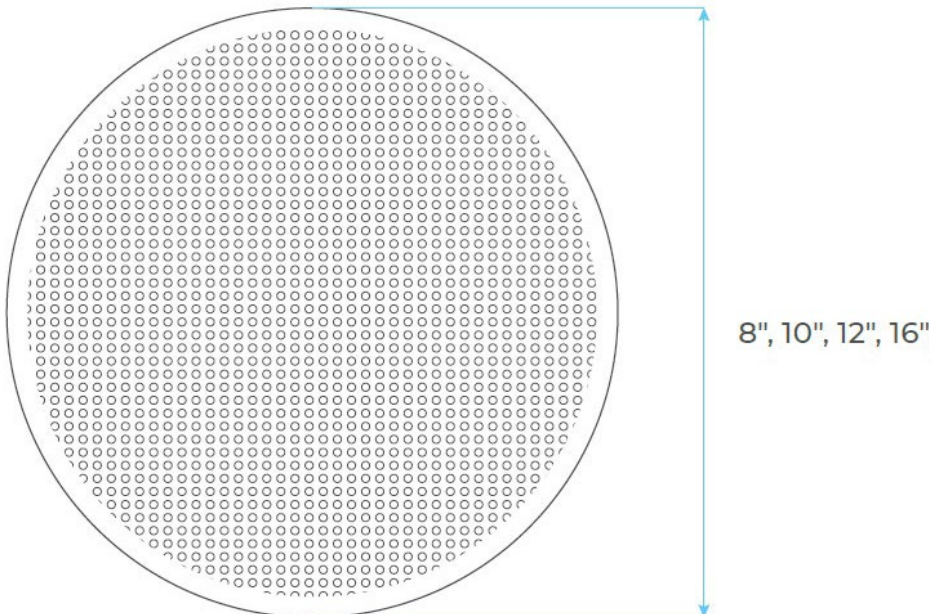
## BRUSHED NICKEL VELARO SHOWER SET SPECS



### Specifications

The minimum pressure required is 29 psi and maximum pressure required 72.7 psi.  
Ceramic Disc Technology Chrome finish ½" NPT Inlets and Outlets  
Compatible with standard US plumbing connections  
Pre-set maximum temperature 104°F Automatic anti scald device  
Recommended pressure for best performance 2 to 75 psi  
Easy installation, come with all standard accessories.  
The flow rate is 2.5 GPM

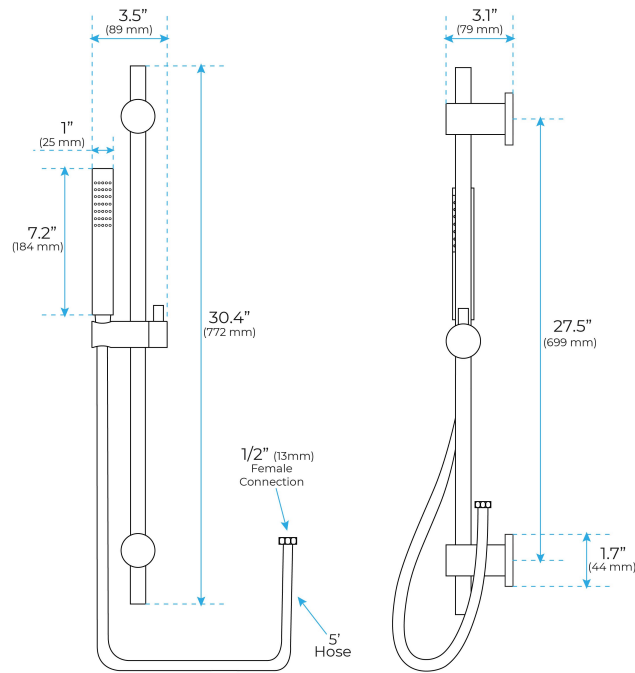
### Shower Head Size:



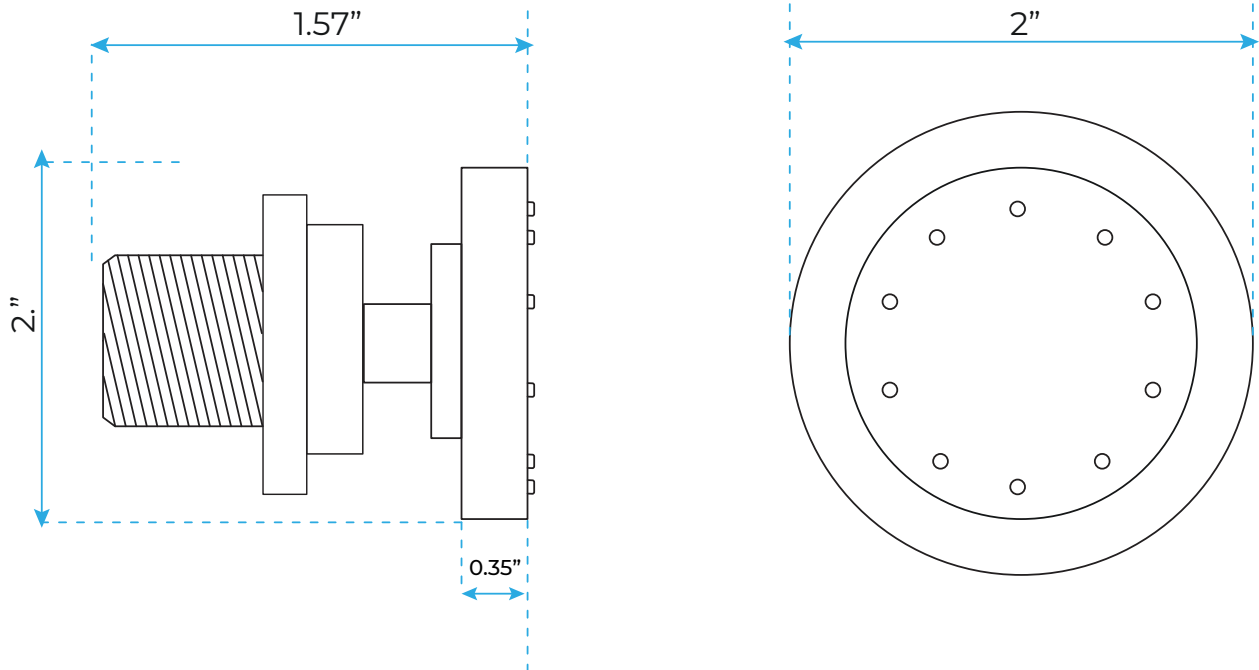
8", 10", 12", 16"

Flow Rate  
2.5 GPM / 9.5 LPM (rain Shower);

**Hand Shower Size:**



**Body Jets Size:**



**Mixer Size :**

